

ALS 104 LABELING SOLUTION FOR TOP LABELING

Left Hand Version

DESCRIPTION

With this application, labels between 10 - 106 mm width (material width incl. backing paper max. 110 mm) can be applied on the top of products. The surface of the products needs to be flat to secure the smooth application of labels. Paper and stiff PE label materials can be used. The maximum apply speed is 30 m/min. The support stand with vertical and horizontal lead screws enables flexible integration onto a conveyor. The product start sensor has to be connected to the M12 plug on the ALS.

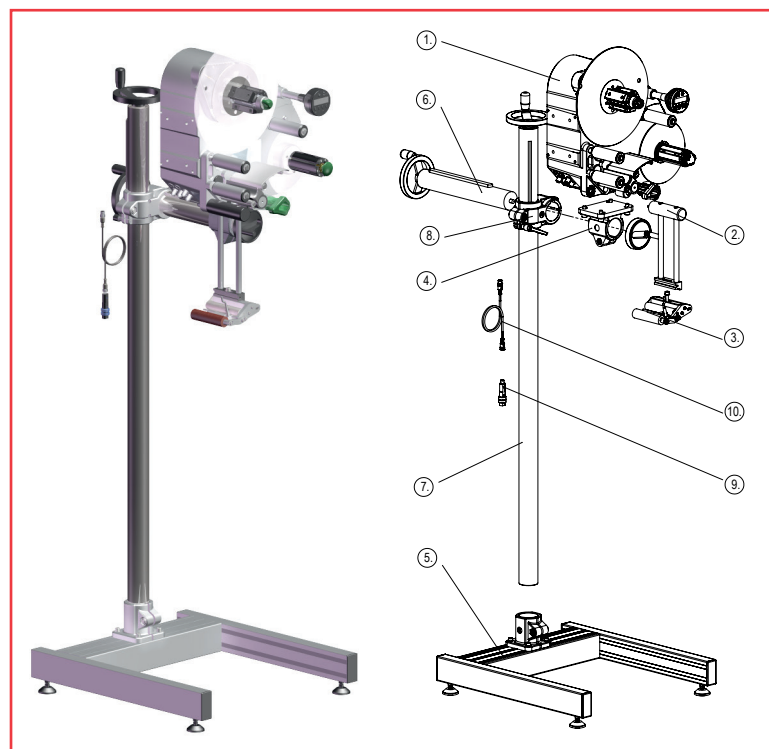
MAIN SPECIFICATIONS ALS 104	
Dispensing speed:	Up to 30 m/min
Material width incl. backing paper:	10 - 110 mm
Label length:	5 - 600 mm
Label roll diameter:	300 mm
Data Interfaces:	RS 232C

FOLLOWING PARTS ARE INCLUDED:

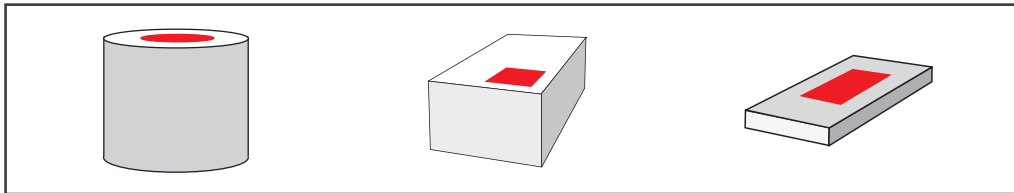
POS-NB.	DESCRIPTION	QT
1	ALS 104 LH	1
2	L-shape dispensing edge fixture LH 110 mm	1
3	L-shape fixed dispensing edge LH 110 mm	1
4	Flange plate assembly	1
5	Single H-Foot	1
6	Horizontal lead screw 390 mm	1
7	Vertical lead screw 1.500 mm	1
8	Cross clamp	1
9	Product start sensor	1
10	Extension cable 1.5 m	1

IMPORTANT BENEFITS

- Flexible integration in your product line
- Attractive price-performance ratio
- Top quality for standard applications
- Application speed of up to 30 m/min
- Material width up to 110 mm
- Accurate label positioning
- Easy vertical and horizontal adjustment of the ALS by means of the lead screws



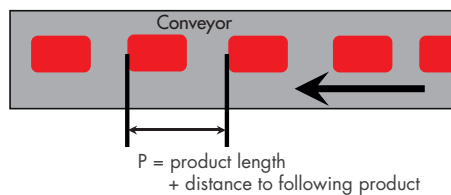
TYPICAL APPLICATIONS: TOP LABELING



Mainly applicable for labeling of products in the same height. Almost all common types of label shapes are supported.

LABELS PER MINUTE (Q) FOR TOP LABELING ALS

EXAMPLES	PRODUCT LENGTH (P)	APPLY SPEED (V)		
		15 M/MIN	20 M/MIN	30 M/MIN
Products:	1. 60 mm long + product distance 20 mm (P)	188	250	375
	2. 100 mm long + product distance 20 mm (P)	125	167	250



As application-specific circumstances can impact the real volumes and apply-speeds, no rights can be derived from these calculations.

Calculation of max. labels per minute: $Q = V \times 1000 / P$
 Calculation of max. apply speed: $V = Q \times P / 1000$

OPTIONS* FOR ENHANCEMENT OF THIS SOLUTION

- Capacitive label sensor (including bracketry)
- IP65 protection kit BASIC
- IP65 protection kit IT1
- External OD control (LH)
- Encoder set APSF: Rotary Encoder (for APSF), incl. cable with M12-plug
- Remote display

* not included, have to be ordered separately.



Remote display

The information contained herein is believed to be reliable but NOVEXX Solutions makes no representations concerning the accuracy or correctness of the data. The information, like any other should be confirmed independently for the particular end user conditions to ensure the proposed labeling meets the relevant requirements and regulations. NOVEXX Solutions shall have no liability whatsoever, regardless of any legal theory, arising out of your use or reliance on the information contained herein and in no event shall NOVEXX Solutions be held liable for consequential, indirect or incidental damages. NOVEXX Solutions liability is limited to the replacement value of defective product. Products, information and specifications are subject to change without notice.
 © 2015 Novexx Solutions GmbH, All Rights Reserved. Third party trademarks and/or trade names may be used herein are the property of their respective owner[s].

**Novexx Solutions GmbH
DEUTSCHLAND**

Ohmstrasse 3
D-85386 Eching
Tel. +49 (0)8165 925 299
info.deutschland@novexx.com

**Novexx Solutions S.A.S.
FRANCE**

Tel. +33 (0)825 82 61 52
info.france@novexx.com

**Novexx Solutions B.V.
NEDERLAND**

Tel. +31 (0)302 63 22 33
info.nederland@novexx.com

**Novexx Solutions B.V.
BELGIE**

Tel. +32 (0)2 377 8002
info.belgie@novexx.com

**Novexx Etiketleme Sistemleri
Tic. A.Ş. TÜRKIYE**

Tel. +90 216 564 81 81
info.turkiye@novexx.com

**Novexx Solutions GmbH
ITALIA**

Tel. +39 0331 1855511
info.italia@novexx.com

**Novexx Solutions GmbH
FILIAL SVERIGE**

Tel. +46 (0)31 68 30 40
info.sverige@novexx.com

**manroland India Pvt. Ltd.
INDIA**

Tel. +91 (11) 47002900
info.india@novexx.com

**Novexx Solutions
USA**

Tel. +1 610 4730751
info.usa@novexx.com

**Novexx Solutions
ASIA**

Tel. +86 (021) 2215 7665
info.asia@novexx.com

**Novexx Solutions GmbH
POLSKA**

Tel. +48 (0)605957108
info.polska@novexx.com