

ALX 925 PRINT & APPLY SOLUTION FOR TOUCH-ON TOP LABELING

Right Hand Version

DESCRIPTION

With this application, labels between the sizes 30 x 30 mm and 125 x 125 mm can be printed and applied on top of products. The LA-TO Touch-on applicator applies the label to the product by moving the label to the product by means of a cylinder. This solution is very useful in applications where direct apply is not possible, e.g. to overcome a distance between dispensing edge and product. The applicator stroke length is max. 180 mm.

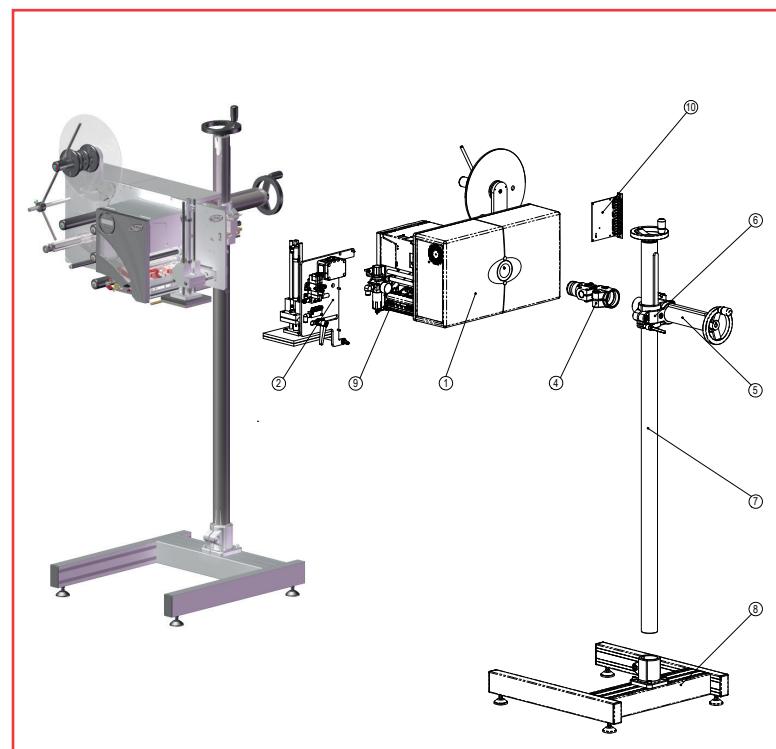
MAIN SPECIFICATIONS ALX 925	
Print head:	Near-edge
Print speed for ALX 925:	Up to 400 mm/s
Label width for LA-BO:	30 - 125 mm
Print width ALX 925:	Up to 127 mm
Label width ALX 925:	16 - 130 mm
Label roll diameter:	300 mm max.
Data Interfaces:	RS 232C, Ethernet, USB

IMPORTANT BENEFITS

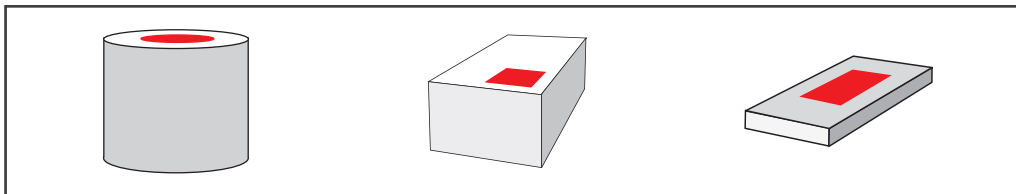
- LA-TO Touch-on applicator: Applies labels from single product to boxes and outer packages
- Easy change of label pads for different label sizes
- High performance: Top results in terms of printing and dispensing speed and top print quality
- Well thought-out functionality for user-friendly, problem-free workflows
- Easy network-integration through standard Ethernet interface
- Plug- and play construction
- Efficient productivity through large foil-rolls and ribbon-save function
- Easy integration in productionline

FOLLOWING PARTS ARE INCLUDED:

POS-NB.	DESCRIPTION	QT
1	ALX 925 RH	1
2	LA-TO	1
3	Shakle joint-head clamp RH	1
4	Label pad 125 x 125 mm	1
5	Horizontal lead screw 390 incl. hand wheel	1
6	Cross clamp EK 60	1
7	Vertical lead screw 1500 incl. hand wheel	1
8	Single H-foot	1
9	Dispensing edge	1
10	Applicator interface	1



TYPICAL APPLICATIONS: PRINT & APPLY WITH LA-TO APPLICATOR (TOP LABELING)



Mainly applications for labeling of single products, boxes and outer packages. Products have to be in same height.

CAPACITY DESCRIPTION

The number of labels per minute that can be applied depends on several application-specific circumstances, of which the main are:

- Printspeed and print output (1:1 or batch)
- Labelsize and labelmaterial
- Stroke length
- Product speed

As a guideline, following capacities have been achieved with paper-labels in size 80 x 80 mm, printspeed 10" per second and blow-distance 100 mm:

OUTPUT	
1:1	upto 50 labels/minute
batch	upto 80 labels/minute

Due to static and friction effects, film materials may tend to wrinkle during dispensing of the label onto the vacuum pad. Film materials should be tested upfront in your unique applications.

OPTIONS* FOR ENHANCEMENT OF THIS APPLICATION

- RS232/422/485 Option boards
- Adapter ribbon mandrel RH for 1000 mtr ribbon rolls
- Product sensor reflex WL 170
- Label roll outer diameter sensor (for use with AI)
- Label pad 80 x 80 mm (for ALX with LA-TO)
- Label pad 160 x 210 mm (for ALX with LA-TO)
- Label pad 110 x 160 mm (for ALX with LA-TO)
- Remote display

* not included, have to be ordered separately.



Remote display

The information contained herein is believed to be reliable but NOVEXX Solutions makes no representations concerning the accuracy or correctness of the data. The information, like any other should be confirmed independently for the particular end user conditions to ensure the proposed labeling meets the relevant requirements and regulations. NOVEXX Solutions shall have no liability whatsoever, regardless of any legal theory, arising out of your use or reliance on the information contained herein and in no event shall NOVEXX Solutions be held liable for consequential, indirect or incidental damages. NOVEXX Solutions liability is limited to the replacement value of defective product. Products, information and specifications are subject to change without notice.

© 2015 Novexx Solutions GmbH, All Rights Reserved. Third party trademarks and/or trade names may be used herein are the property of their respective owner[s].

Novexx Solutions GmbH DEUTSCHLAND

Ohmstrasse 3
D-85386 Eching
Tel. +49 (0)8165 925 299
info.deutschland@novexx.com

Novexx Solutions S.A.S. FRANCE

Tel. +33 (0)825 82 61 52
info.france@novexx.com

Novexx Solutions B.V. NEDERLAND

Tel. +31 (0)302 63 22 33
info.nederland@novexx.com

Novexx Solutions B.V. BELGIE

Tel. +32 (0)2 377 8002
info.belgie@novexx.com

Novexx Etiketleme Sistemleri Tic. A.Ş. TÜRKIYE

Tel. +90 216 564 81 81
info.turkiye@novexx.com

Novexx Solutions GmbH ITALIA

Tel. +39 0331 1855511
info.italia@novexx.com

Novexx Solutions GmbH FILIAL SVERIGE

Tel. +46 (0)31 68 30 40
info.sverige@novexx.com

manroland India Pvt. Ltd. INDIA

Tel. +91 (11) 47002900
info.india@novexx.com

Novexx Solutions USA

Tel. +1 610 4730751
info.usa@novexx.com

Novexx Solutions ASIA

Tel. +86 (021) 2215 7665
info.asia@novexx.com

Novexx Solutions GmbH POLSKA

Tel. +48 (0)605957108
info.polska@novexx.com